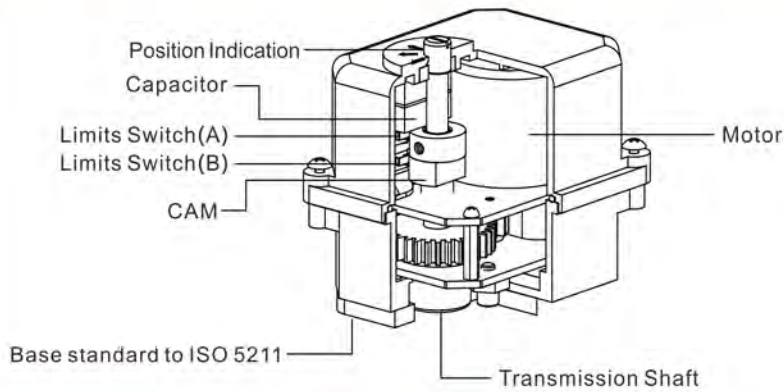


UMS Direct Mount series



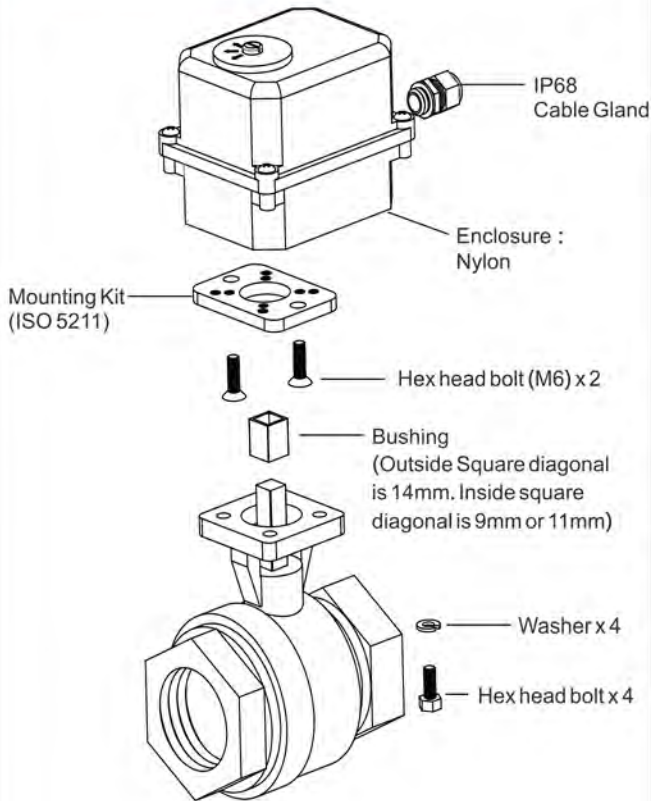
Weight : 1 kg

※The following values are subject to begin with 60Hz

Specification			Speed(sec)		Output Torque Kgf-cm			
Power	AC24V	AC110V	AC220V	AC	DC	AC24V	AC110V	AC220V
3~4W	170mA	33mA	30mA	23	N/A	90	105	105

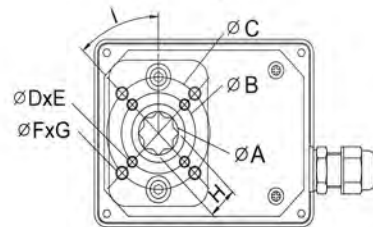
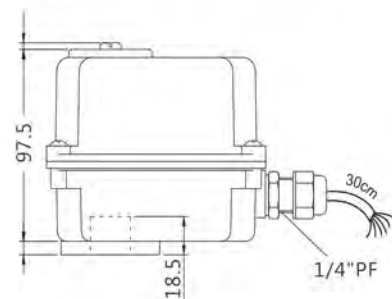
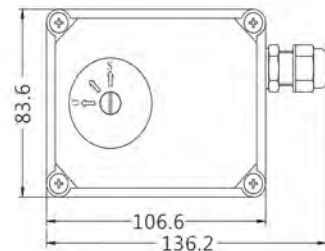
The Size Valve		
Ball Valve screw	True Union Ball Valve (Switch Kit Only)	
1/4" ~ 1/2"	1/2"	
	3 WAY Flange End	
	1/4" ~ 3/8"	

Action Interval:5 minutes per travel



Mounting Pattern :

mounting kit	bore distance (P.C.D)	Hex head bolt size
	∅ 36 (P.C.D)	M5 × P0.8 × 12L
	∅ 50 (P.C.D)	M6 × P1.0 × 15L



* Option : (1)H=□9,A=12 (2)H=□11,A=15

*F04/F07 D=M5, F=M8 Optional

Dimension (mm)	A	B	C	D	E	F	G	H	I	ISO 5211
Model								Max		
UMS	19.3	36	50	M5	4	M6	4	14	45	F03/F05